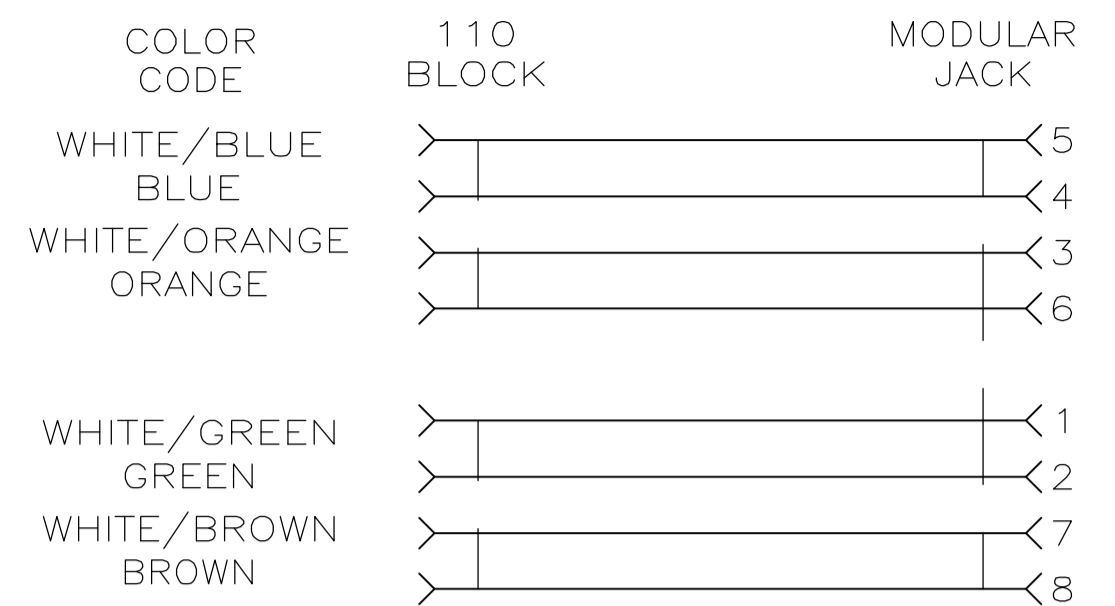
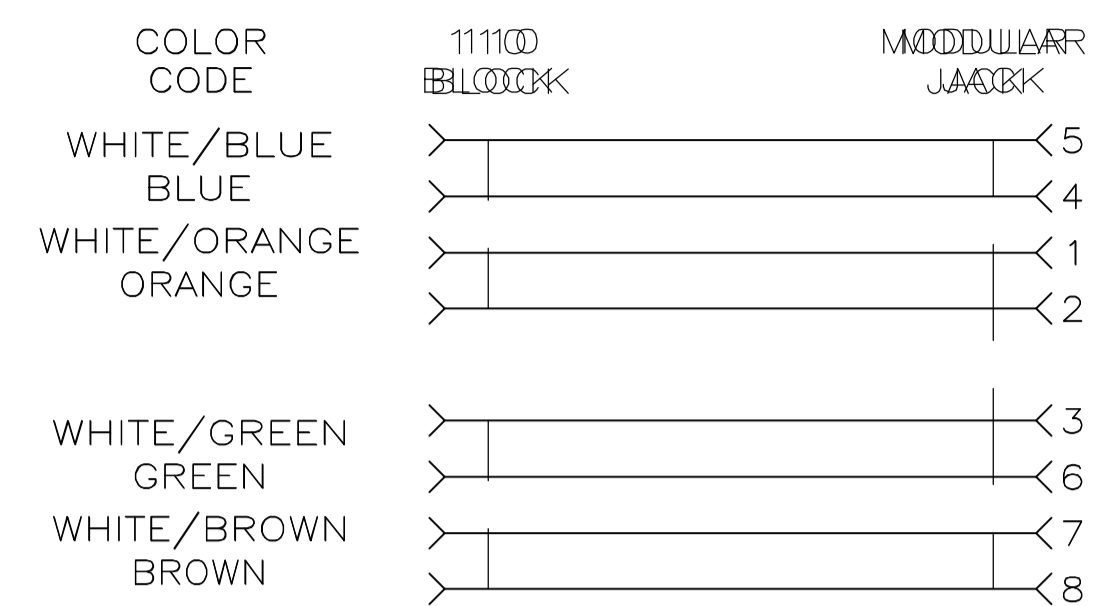


LOC		DIST		REVISIONS			
P	LTR	DESCRIPTION	DATE	DWN	APVD		
C		REV: EC 0B40-0068-01	12APR01	GG	BT		
D		REV-ECD-07-000357	13APR07	LH	BM		

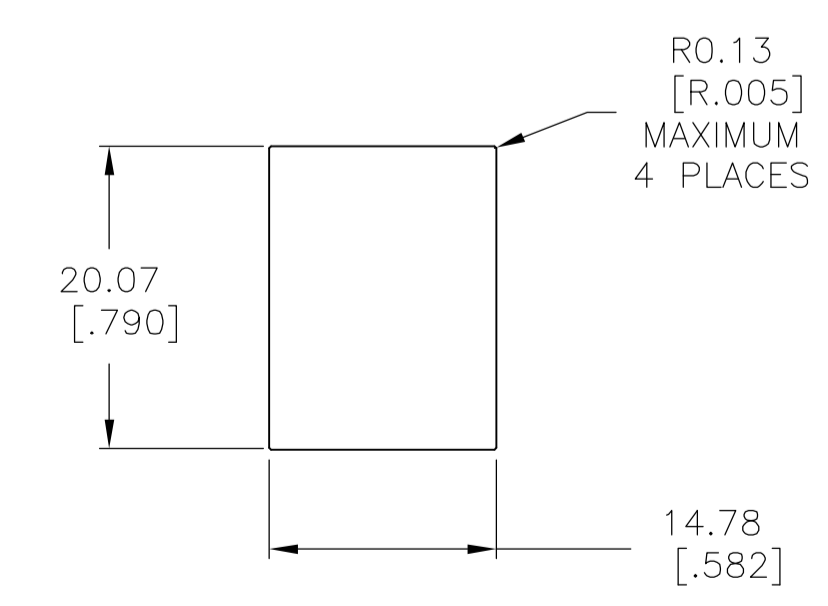
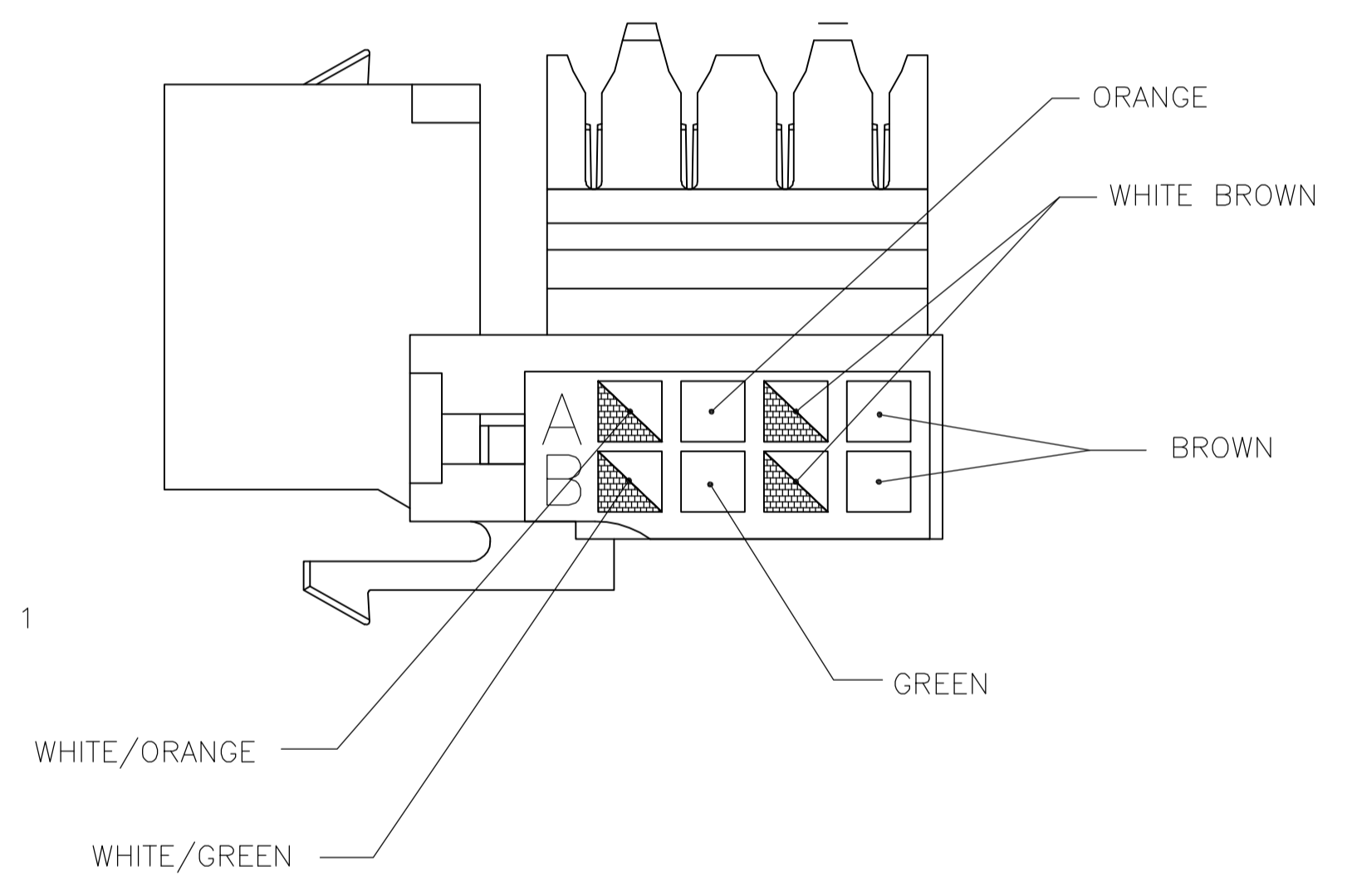
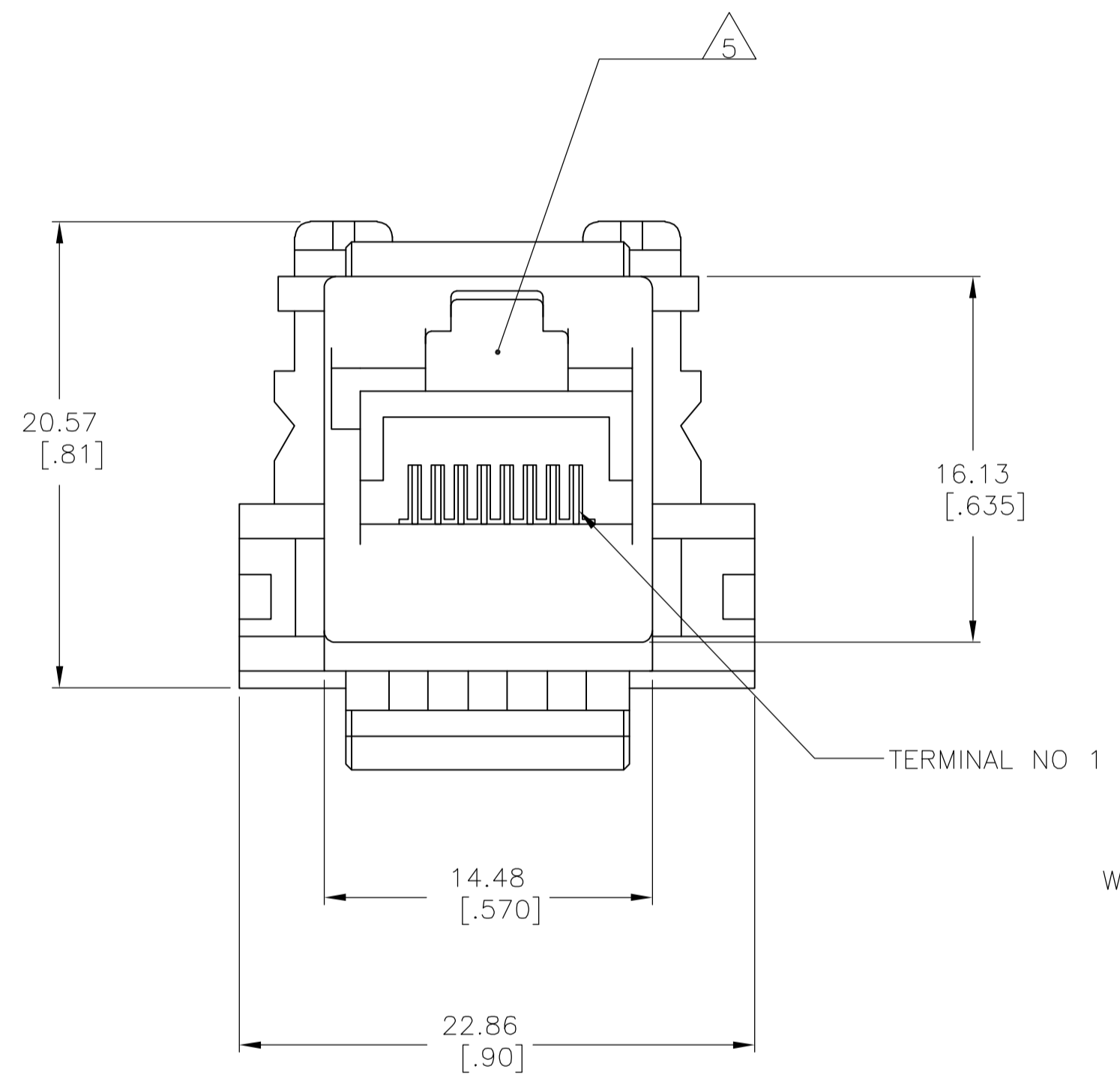
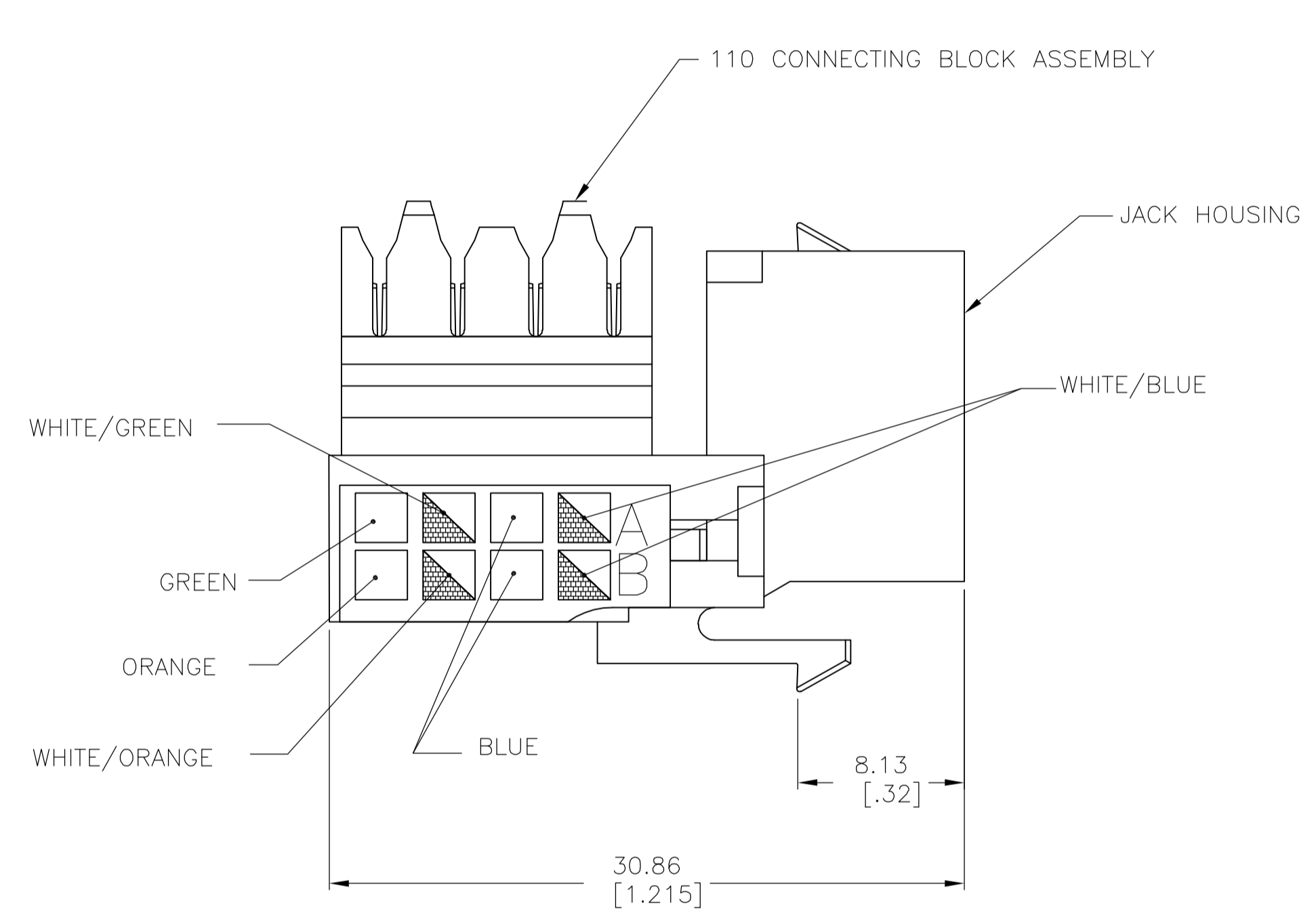


ELECTRICAL SCHEMATIC T568A

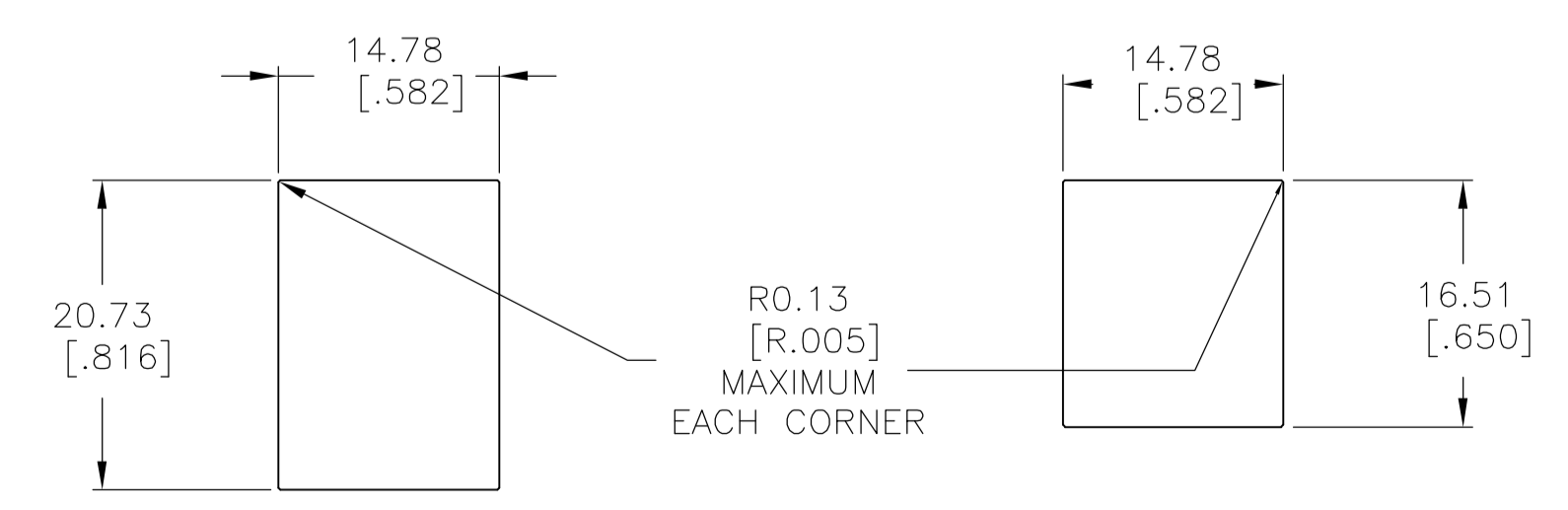


ELECTRICAL SCHEMATIC T568B

- 1. MATERIAL: HOUSING - POLYPHENYLENE OXIDE, 94V-0 RATED. SEE TABLE FOR COLOR. 110 BLOCKS - POLYCARBONATE, 94V-0 RATED. JACK CONTACTS - PHOSPHOROUS BRONZE, PLATED WITH 1.27µm [.000050] MINIMUM THICK GOLD IN LOCALIZED AREA AND 3.81µm [.000150] MINIMUM THICK MATTE TIN IN SOLDER AREA OVER 1.27µm [.000050] MINIMUM THICK NICKEL UNDERPLATE.
- 2. 110 BLOCK WILL TERMINATE 22-26 AWG SOLID OR 7 STRAND CONDUCTORS, 1.27 [.050] MAXIMUM INSULATION DIAMETER.
- 3. MOUNTING PANEL THICKNESS 1.473-1.600 [.058-.063].
- 4. PACKAGED 25 MODULAR JACK ASSEMBLIES PER CARTON.
- 5. CAVITY CONFORMS TO FCC RULES AND REGULATIONS PART 68 SUBPART F REQUIREMENTS.
- 6. THESE TWO SUGGESTED CUTOUT OPENINGS ARE USED IN TANDEM WITH DUAL FRONT AND BACK CUTOUTS.



SUGGESTED SINGLE PANEL CUT OUT SCALE 2:1



SUGGESTED BACK PANEL CUT OUT SCALE 2:1

SUGGESTED FRONT PANEL CUT OUT SCALE 2:1

HOUSING COLOR	PART NUMBER
ELECTRIC IVORY	1-406374-1
VIOLET	1-406374-0
GREEN	406374-9
YELLOW	406374-8
RED	406374-7
BLUE	406374-6
ORANGE	406374-5
NEMA GRAY	406374-4
WHITE	406374-3
BLACK	406374-2
LIGHT ALMOND	406374-1

THIS DRAWING IS A CONTROLLED DOCUMENT.

DIMENSIONS: mm [INCHES]	TOLERANCES UNLESS OTHERWISE SPECIFIED:	0 PLC ± -	1 PLC ± -	2 PLC ± 0.25[.01]	3 PLC ± 0.13[.005]	4 PLC ± -	ANGLES ± -
-------------------------	--	-----------	-----------	-------------------	--------------------	-----------	------------

MATERIAL	FINISH	WEIGHT	SIZE	CAGE CODE	DRAWING NO	RESTRICTED TO
			A1	00779	406374	

CUSTOMER DRAWING SCALE 4:1 SHEET 1 OF 1 REV D